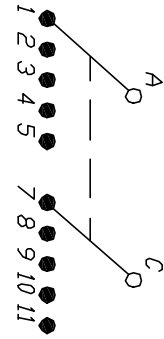
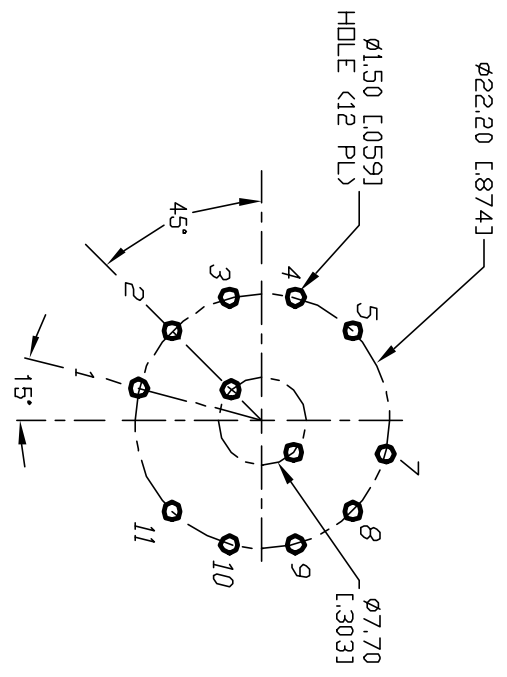


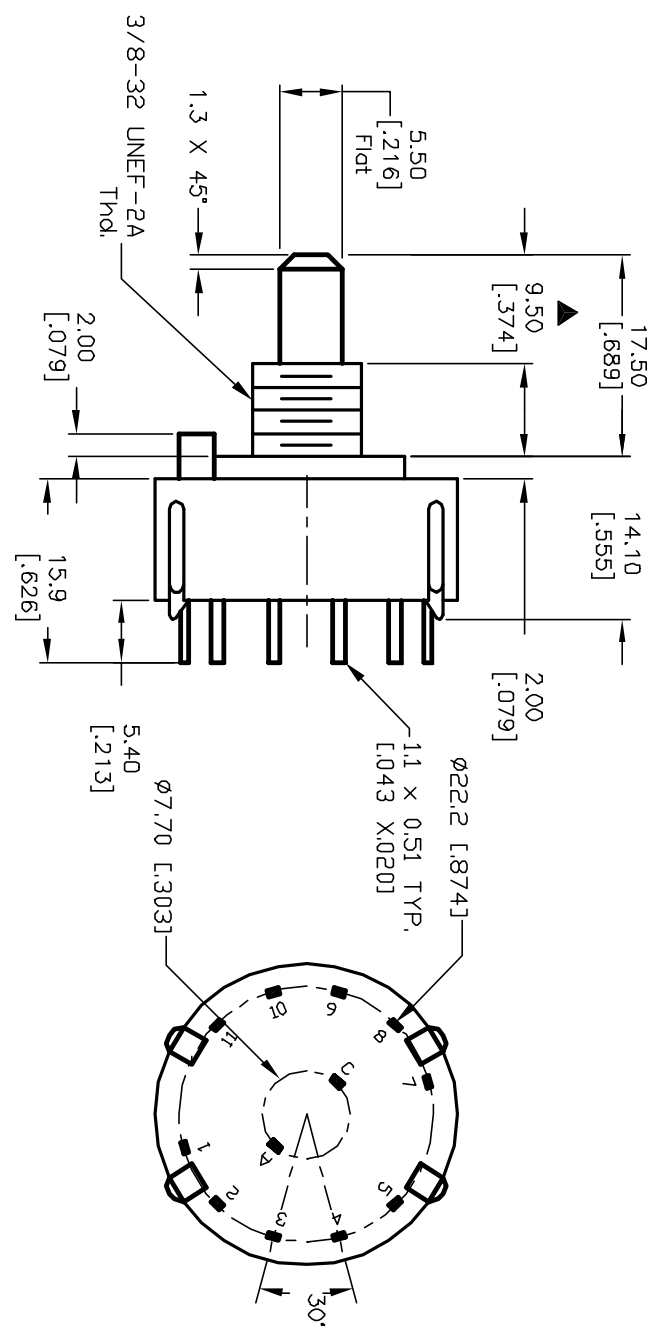
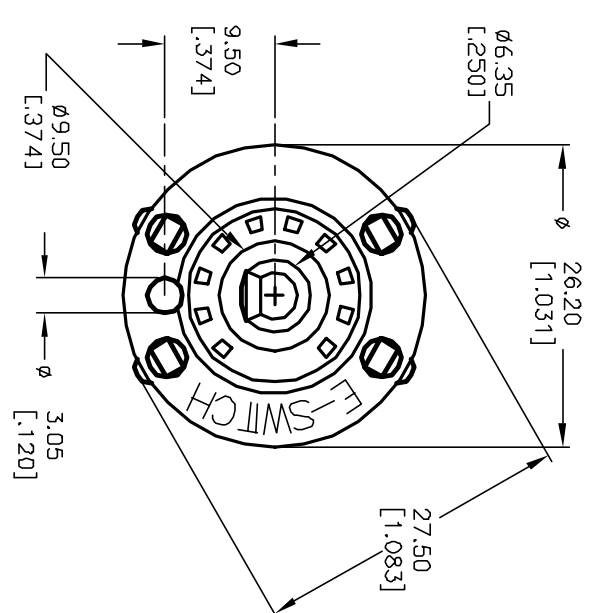
- NOTES:
1. ALL DIMENSION IN MM [INCH]
  2. GENERAL TOLERANCE: X.X=±0.4  
X.XX=±0.25
  3. TERM. NOS. FOR REF. ONLY
  4. CONTACT RATING SWITCHING: 150mA, 250V AC/DC  
350mA, 110V AC/DC
  5. OPERATING FORCE: 425±100 CM/STANDARD
  6. OPERATING TEMP: -30° to 85°C
  7. CIRCUIT 2 Pole, 5 POSITIONS, 30° INDEX.
  8. DIELECTRIC STRENGTH: 1000V RMS min. @SEA LEVEL
  9. DESIGNATE MAJOR DIMENSIONS
  10. LOCK NUT AND WASHER NOT SHOWN.



CONTACT CONFIGURATION  
Timing: (MBS) Shorting



RECOMMENDED P.C.B. LAYOUT



REV. A		11514		RELEASED FOR PRODUCTION		10/5/01		CJB	
REV.		ECN No.		DESCRIPTION		DATE		CHKD	
TITLE: KC-25-E-01-S-P-S SCALE: 1.5:1 DATE: 10/5/01 DR: CJB DWG: G510902 REV: A									
THE INFORMATION CONTAINED IN THIS DOCUMENT IS PROPRIETARY TO E-SWITCH AND IS NOT TO BE COPIED OR TRANSFERRED									

